

ROLL-MATIC

APS 8100

System: Rotating waste compactor



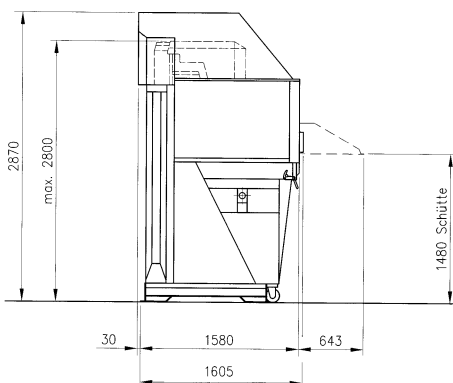
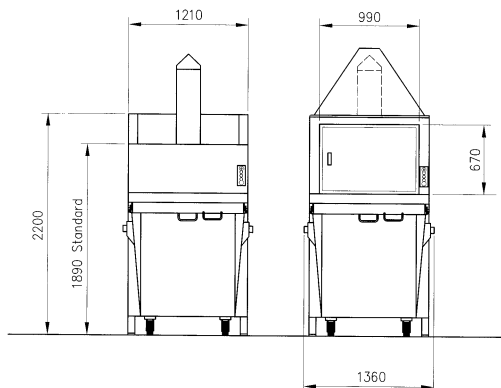
 **BERGMANN**
Machines
for Waste Management
www.bergmann-online.com



ROLL-MATIC

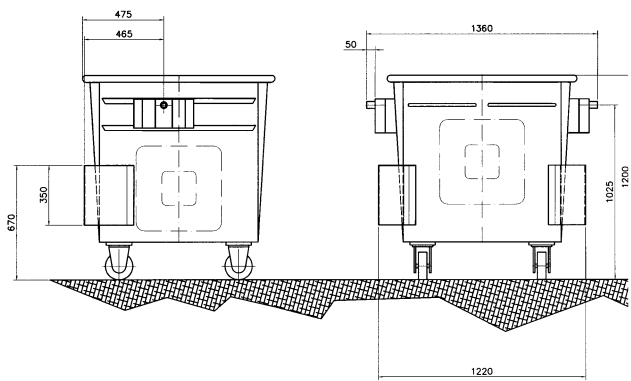
The Roll-Matic APS 8100:

- achieves maximum cost savings and significant reduction of effort and labour
- positioning the unit directly where the waste is generated saves handling costs
- utilises manpower significantly as everybody can operate the unit without any training
- can be fed whilst compacting the waste
- helps to keep the working environment clean
- eliminates expensive and space-consuming containers
- eliminates dependence on frequent waste disposal journeys
- occupies a **limited space of only 2 m²**
- is particularly suitable for taking up refuse
- is constructed and built for hard long-term use
- altogether offers a **clean, hygienic and especially space and cost saving solution.**



1. The compactor grips, tears up and compacts the waste by means of a specially equipped steel roller.

2. Roll container with pivot and comblift (according to DIN 30700).



Type: APS 8100

Technical data

Empty weight	720 kg
Roll container volume	920 l
Electrical data:	2.2 kw/380-415 V/ 50 Hz

Beneficial application for waste disposal in many fields, including:

- Hotels
- Restaurants
- Large kitchens
- Fast food restaurants
- Food industry

The technical and functional safety corresponds to the safety regulations for waste compactors. Some of the illustrations show extra equipment. Dimensions and technical data without obligation. Subject to alteration.

BERGMANN
Machines
for Waste Management

www.bergmann-online.com